
Comfort-Aire®

Century®

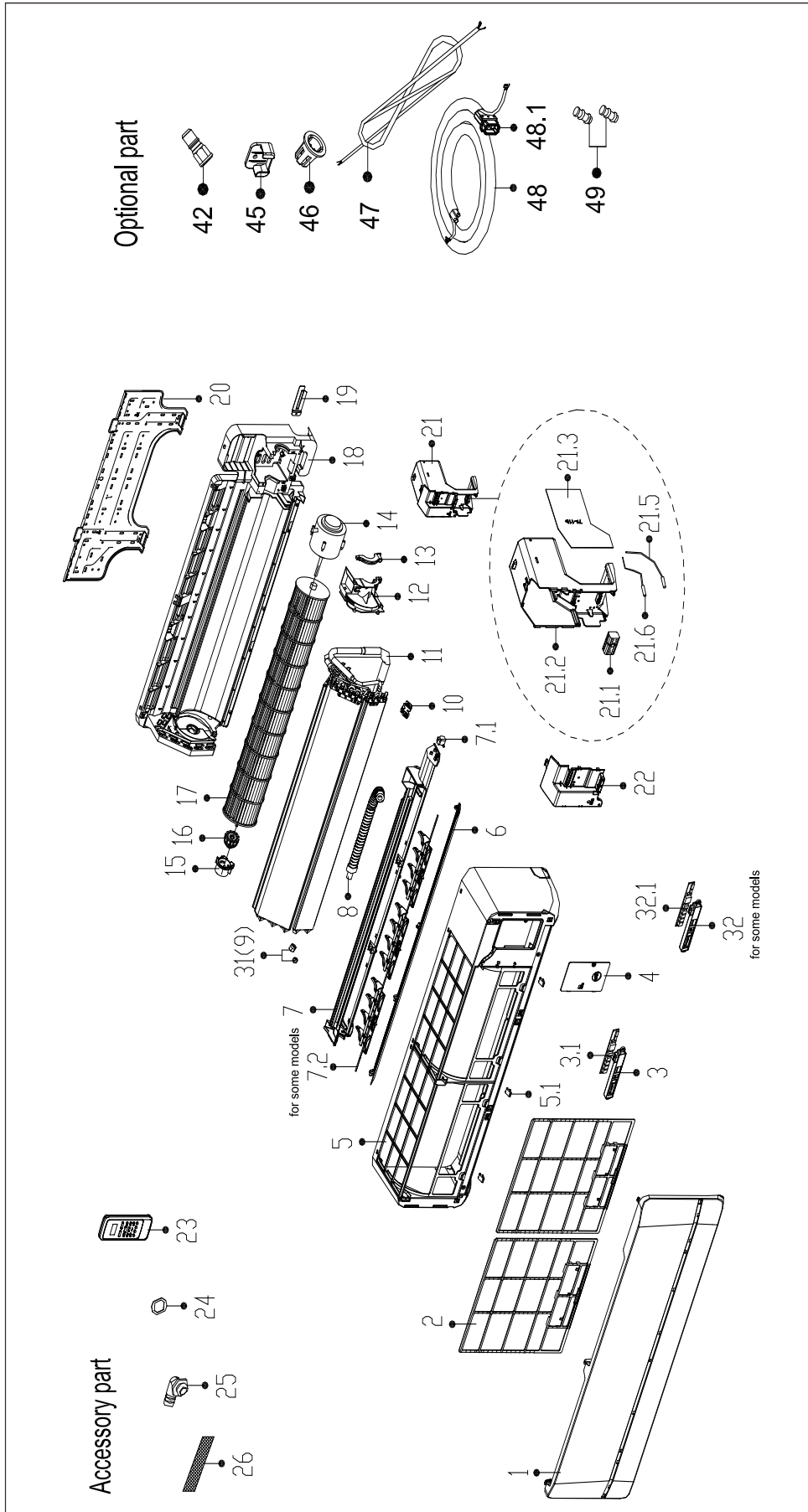


REPLACEMENT PARTS LIST

**Single Zone Low Temperature
Ductless Mini-Split**

B-VMH18SU-1B

EXPLODED VIEW



REPLACEMENT PARTS

Location	Part Name	Quantity	Part No.
1	Panel assembly	1	12122000A46918
2	Air filter	2	12100204000400
3	Display box subassembly	1	17222000A54734
3.1	Display board subassembly	1	17122000A34876
4	Cover of electrical equipment	1	12122000006693
5	Panel frame assembly	1	12122000001746
5.1	Screw Cap	3	12122000006272
6	Horizontal louver	1	12122000005707
7	Air outlet assembly	1	12122000008962
7.1	Stepper motor	1	11002010000015
7.2	Horizontal louver	3	12122000008276
8	Drain hose	1	12100501000021
9	Copper nut	1	15500406000016
9	Copper nut	1	15500406000012
10	Fixed clamp of temperature sensor	1	12122000024323
11	Evaporator assembly	1	15822000008156
12	Fan motor cover	1	12122000005516
13	Fixing board of fan motor	1	12122000006772
14	Brushless DC Motor	1	11002015008646
15	Bearing holder	1	12122000000350
16	Bearing base	1	12622000000006
17	Cross flow fan	1	12100102000007
18	Chassis Assembly	1	12122000A08689
19	pipe clamp board	1	12222000000054
20	Installation Plate	1	12222000000020
21	Electronic control box subassembly (Mid-and low-end)	1	17222000033802
21.1	Wire joint	1	17400401A00046
21.2	Electronic control box	1	12122000004609
21.3	Main control board subassembly	1	17122000044851
21.5	Room temperature sensor	1	11201007003425
21.6	Pipe Temperature Sensor	1	11201007003445
22	Cover of electronic control box	1	12122000005029
23	Remote controller	1	17317000A51872
24	seal ring	1	12600701000039
25	Drain hose	1	12100509000061
26	Air freshening filter	2	12100206000056
32	Display box subassembly	1	17222000A01170
32.1	Adapter plate subassembly	1	17122000046739
42	Check valve	1	15500209000001
45	Bracket of remote Controller	1	12122000027147

Due to ongoing product improvements, specifications and dimensions are subject to change and correction without notice or incurring obligations. Determining the application and suitability for use of any product is the responsibility of the installer. Additionally, the installer is responsible for verifying dimensional data on the actual product prior to beginning any installation preparations.

Incentive and rebate programs have precise requirements as to product performance and certification. All products meet applicable regulations in effect on date of manufacture; however, certifications are not necessarily granted for the life of a product. Therefore, it is the responsibility of the applicant to determine whether a specific model qualifies for these incentive/rebate programs.

Comfort-Cire®  **Century**®

1900 Wellworth Ave., Jackson, MI 49203 • Ph. 517-787-2100 • www.marsdelivers.com

